

LT-3060 LED Power Repeater

Manual 1



Pls kindly read through this manual before use

Foreword

Thanks for choosing our LT-3060 LED Power Repeater. Before installation and usage, we strongly recommend you to read through this manual carefully.

After-sales service

From the day you purchase our products within a year, if being used properly in accordance with the instruction, and quality problems occur, we provide free repair or replacement services except the following cases:

1. Any defects caused by wrong operations.
2. Any damages caused by unauthorized removal, maintenance, modifying circuit, incorrect connections and replacing chips.
3. Any damages due to transportation, vibration etc after the purchase.
4. Any damages caused by earthquake, fire, lightning strike, pollution and abnormal voltage.
5. Any damages caused by negligence, inappropriate storing at high temperature and humidity environment or near harmful chemicals.
6. Product has been updated.

Safe warnings

1. Please don't install this controller in lightening, intense magnetic and high-voltage fields.
 2. To reduce the risk of component damage and fire caused by short circuit, make sure correct connection
 3. Always be sure to mount this unit in an area that will allow proper ventilation to ensure a fitting temperature.
 4. Check if the voltage and power adapter suit the controller & if anode or cathode definition is the same as the controller's.
 5. Don't connect cables with power on, make sure a correct connection and no short circuit checked with instrument before power on.
 6. Please don't open controller cover and operate if problems occur.
- For update information, kindly please consult with your supplier.

Product Introduction

LED Power Repeater is suitable for all of our company's power-output style controllers' power expansion, it accepts PWM control, the control quantity will be twice as much by every adding one more power repeater, unlimited quantity of power repeater to be connected theoretically.

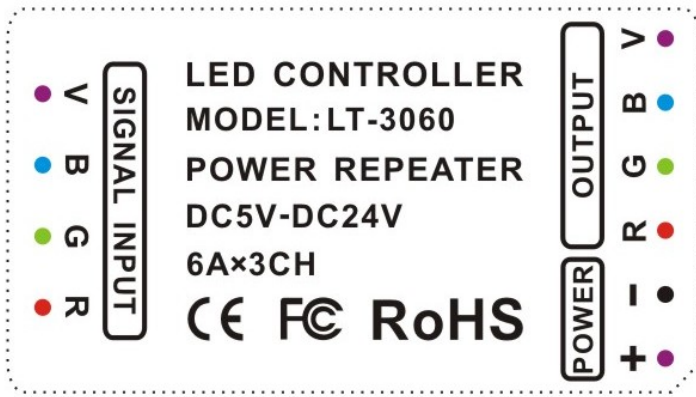
I . Specification

Part No : LT -3060			
Power Input	DC5V-DC24V	Working Temp :	-35℃ – 55℃
Output Current :	6A/CH×3	Dimension :	L121×W39× H39(mm)
Consumption :	< 2W	Package size :	L123×W42× H42(mm)
Output Power :	1 ~ 90W(5V)	Weight(G.W.)	100g
1 ~ 220W(12V)	1 ~ 450W(24V)		

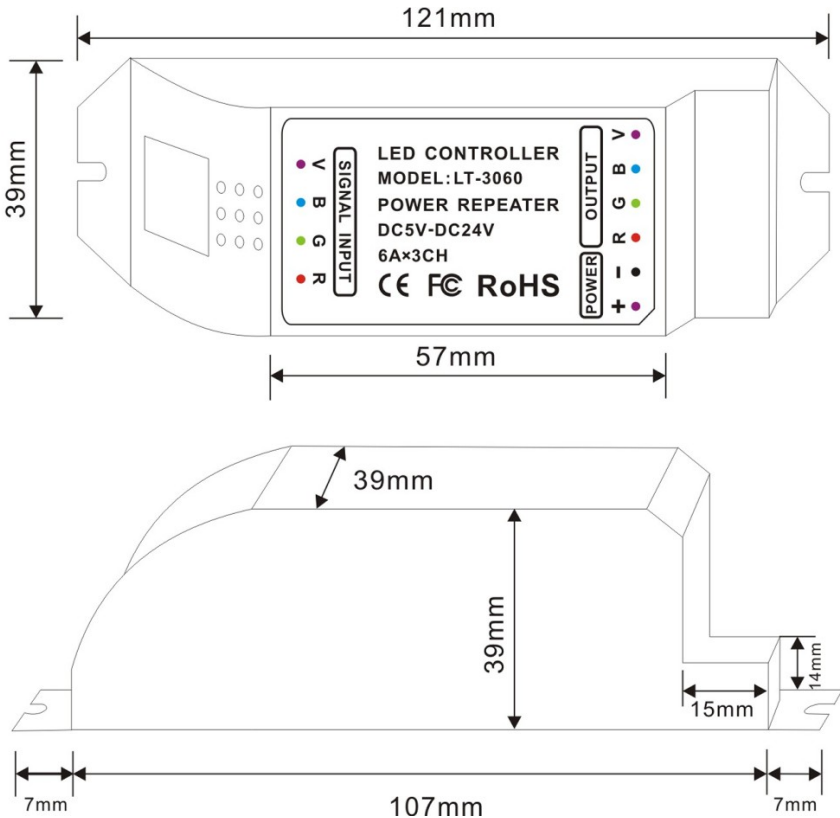
II . Features

- 1、 3 Channels RGB output, 6A/CH, total 18A.
- 2、 Accept PWM control.
- 3、 Unlimited connection quantity theoretically, unlimited power output expansion.
- 4、 Unlimited distance between controller to repeater, repeater to repeater theoretically.

III. Product label

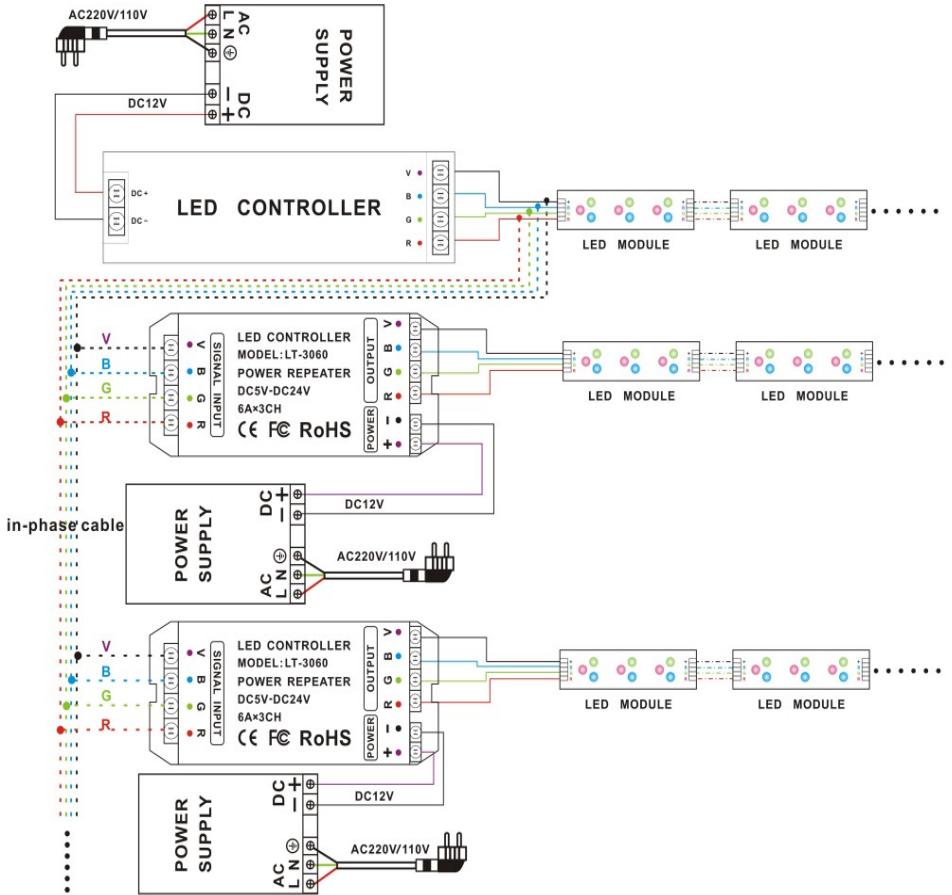


IV. Dimension



V . Conjunction diagram, the quantity of repeater connected is unlimited theoretically.

Take LED module for example, repeaters are all parallel connected to controller.



VI. Exception handles

Fault Case	Reasons	Solutions
No light	<ol style="list-style-type: none">1. No power from plug2. At black mode3. Overload Recovery4. Incorrect connection	<ol style="list-style-type: none">1 Change the socket2. Change the running mode3 Lighten load, react4 Check the connection
Incorrect color No Synchronous	<ol style="list-style-type: none">5. Wrong RGB connection6 Wrong Sync Cable Connection	<ol style="list-style-type: none">5 Check RGB connection6 Check Sync cable connection