

Led spotlight

ALS-6W

User manual



1. Application field

Led spotlight is advanced lighting fixture for wide range of application. Fixture is applicable for industrial, decorative, architectural, and street lighting. It is capable to light up fountains, billboards, monuments, etc.

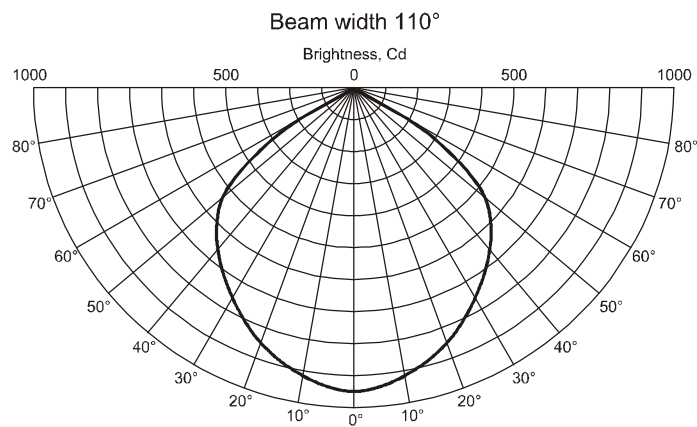
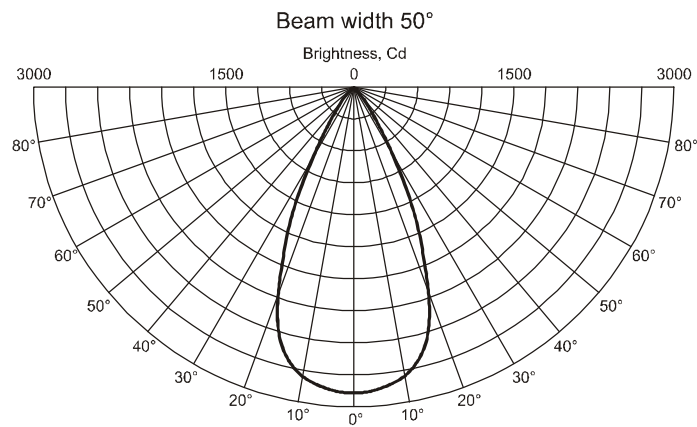
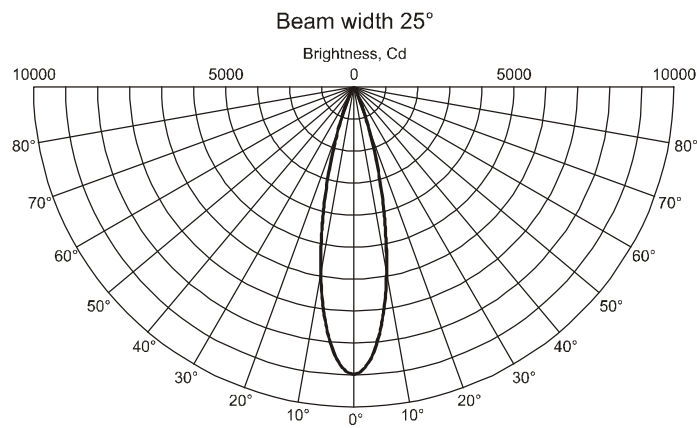
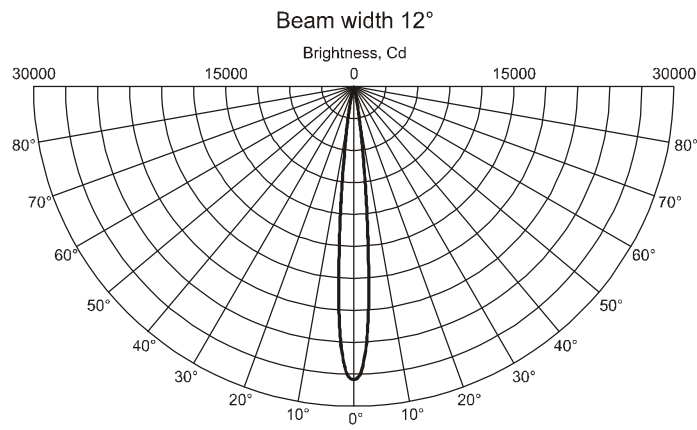
2. Advantages

1. Power saving up to 85% - high lighting efficiency is achieved by utilizing high power LEDs in combination with specially designed secondary optics.
2. Extremely long lifetime: over 50.000 hours, that allow to reduce expenses for a lamp replacement.
3. Reliable start over all ambient temperature and input voltage ranges. Device provides instant light, no warming up. No problems to starting with cold weather conditions.
4. Do not require special utilization process, because do not consist any dangerous substances, fully ROHS compliant.
5. No flicker or stroboscopic effect.
6. LED light is safe for vision, no ultraviolet radiation.
7. IP65 class protected . Fixture is allowed to use in high moisture and explosive premises.

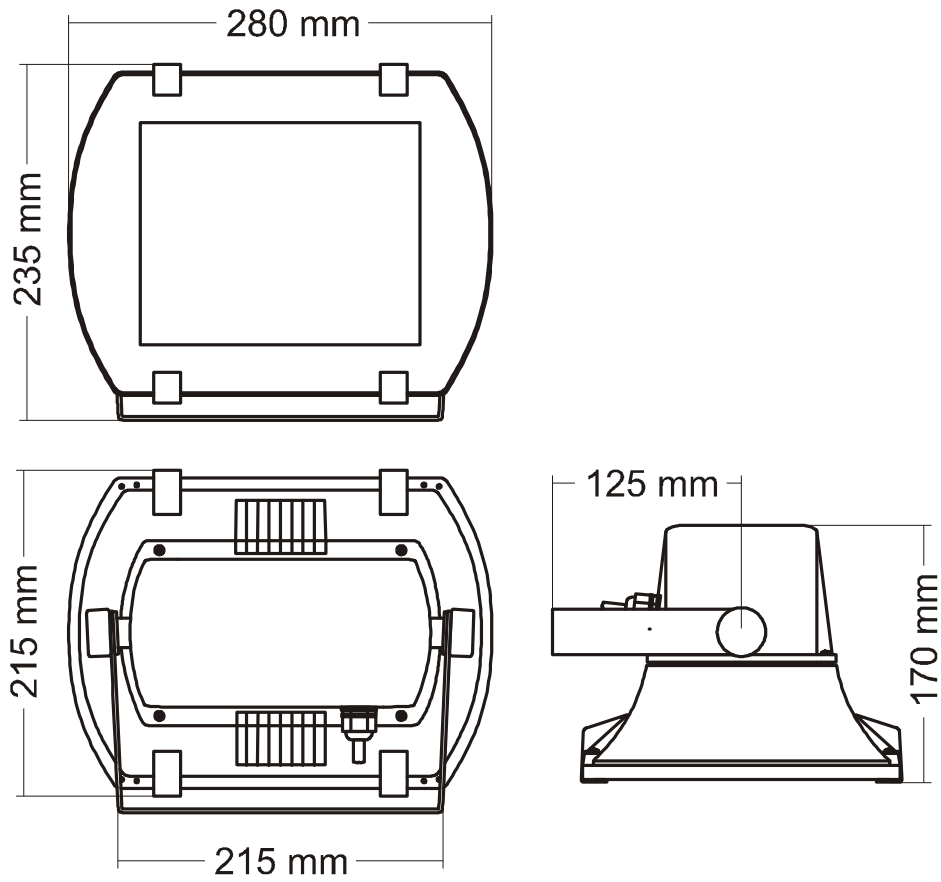
3. Specifications

Input voltage	110-250 V AC 50/60 Hz
Power consumption	24 W
Protection class	IP65
Beam color	Cool white 5500-7125K
Typical luminous flux	2000 Lm
Ambient temperature	- 40..+ 40 °C

4. Brightness vs. viewing angle



5. Dimensions



6. Installation

Installation position must allow free air convection, to prevent fixture overheating.

Do not install fixture near heating installations and any other sources of heat.

Do not install device into unventilated niches or holes neither underwater.