

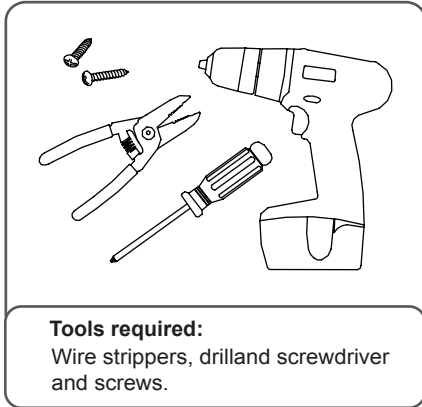
!!! BEFORE YOU BEGIN

Read these instructions completely and carefully

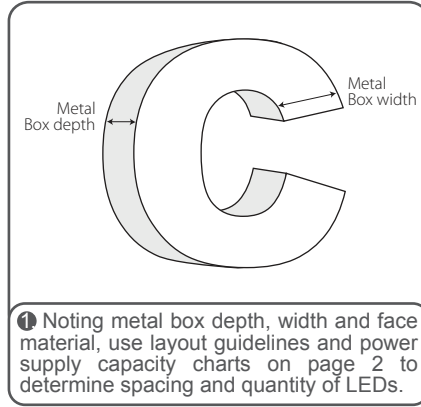


WARNING

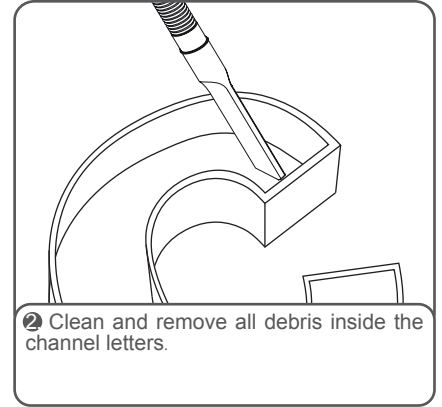
Risk of electrical shock. Disconnect power before servicing or installing product.



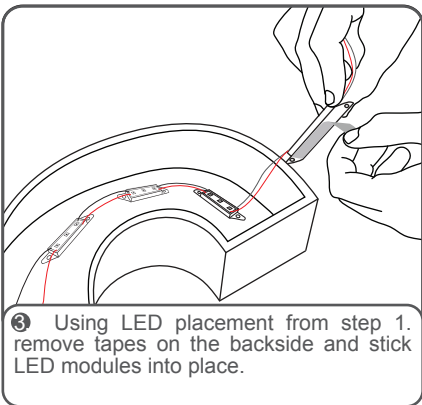
Tools required:
Wire strippers, drill and screwdriver and screws.



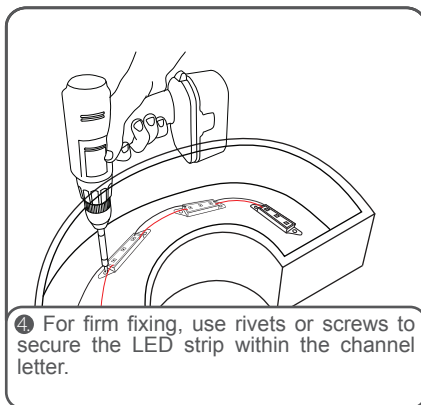
1 Noting metal box depth, width and face material, use layout guidelines and power supply capacity charts on page 2 to determine spacing and quantity of LEDs.



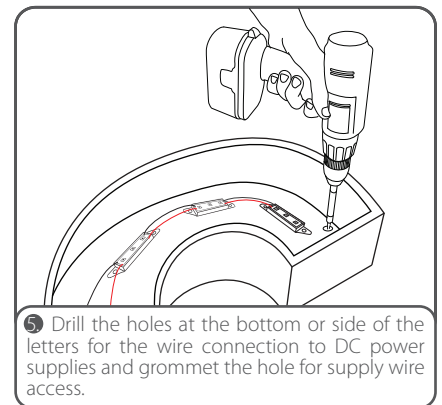
2 Clean and remove all debris inside the channel letters.



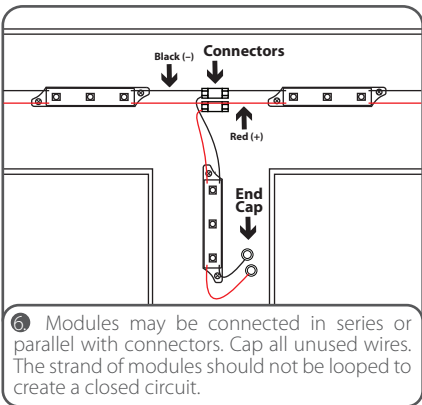
3 Using LED placement from step 1, remove tapes on the backside and stick LED modules into place.



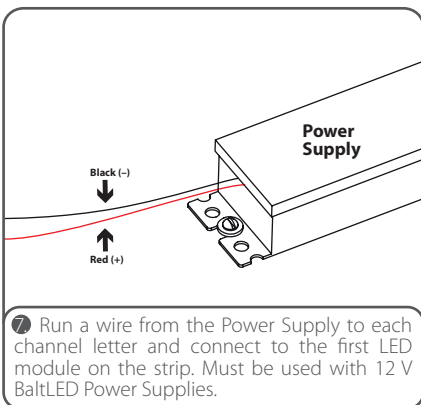
4 For firm fixing, use rivets or screws to secure the LED strip within the channel letter.



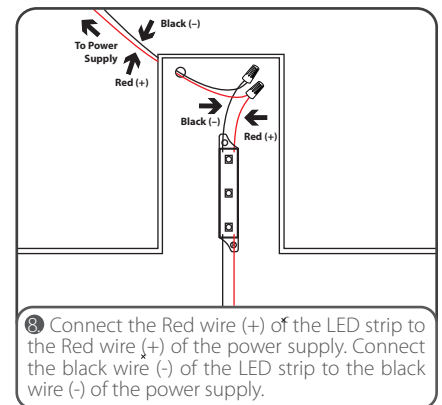
5 Drill the holes at the bottom or side of the letters for the wire connection to DC power supplies and grommet the hole for supply wire access.



6 Modules may be connected in series or parallel with connectors. Cap all unused wires. The strand of modules should not be looped to create a closed circuit.



7 Run a wire from the Power Supply to each channel letter and connect to the first LED module on the strip. Must be used with 12 V BaltLED Power Supplies.



8 Connect the Red wire (+) of the LED strip to the Red wire (+) of the power supply. Connect the black wire (-) of the LED strip to the black wire (-) of the power supply.

Malfunction&Solutions Table

Malfunction	Probable Causes	Solutions
Non LED work	<ol style="list-style-type: none"> No power from power supply. Short circuit or automatic short circuit protection of power supply. Power supply fuse is burnt. 	<ol style="list-style-type: none"> Supply power. Troubleshoot short circuit and supply power again. Replace the burnt fuse with a new one.
Part of the LED module strings don't work	<ol style="list-style-type: none"> No power from power supply (ies). Some LED module string's power supply wires are wrongly connected. 	Add power supply quantity
Brightness of LED is not consistent or is not enough	<ol style="list-style-type: none"> Power supply overloading. Too much current loss of power supply wires. More than one LED module string is seriesly connected. 	Connect each string directly to the master wires from power supply as the diagram above. Don't connect the string by series.
LED Twinkling	<ol style="list-style-type: none"> Poor wire contacting 	Identify poor contacts and troubleshoot.
Individual LED don't work	Breakdown due to electrostatics.	Replace with new LED or new LED modules.