

Best for over 200 mm depth light  
boxes and channel letters

3 years warranty



Crown OPTO Q4



**Created for:**

- Illumination of medium- big depth light boxes and channel letters
- Budget solution
- Faster installation
- Optimal for 200-300 mm depth illumination

**Special features:**

- IC-LED protection inside
- One hole installation saves 40% of time
- Special and unique LED inside allows to cut between every single module
- No shadows in letters because of 3 or 4 light output points in module

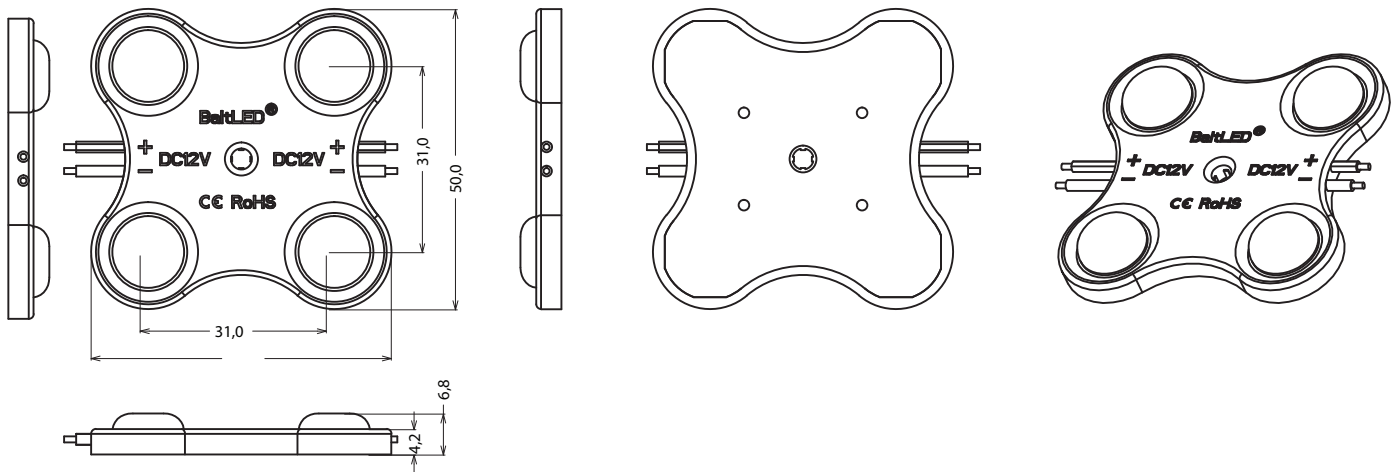
**Applications:**

- Huge letters from 200mm depth
- High Brightness Big letters from 150mm depth
- High Brightness One sided light-box from 200mm depth

**Other features:**

- Long operating life - 25 000 h@L70
- High efficiency over 90 lm/W
- High CRI > 85
- IP- 67

**Module dimensions (mm)**

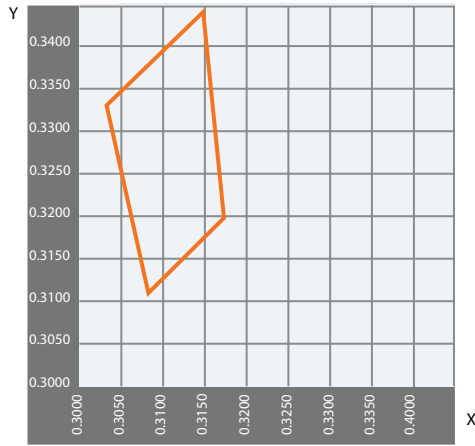


Part#	Input	Typical luminous flux	Power	Color temperature
BMS-Q4.1-O4UH160CW	12 V	180±5 lm	2 W	7200-7400K
BMS-Q4.1-O4UH160W1	12 V	180±5 lm	2 W	7000-7200K

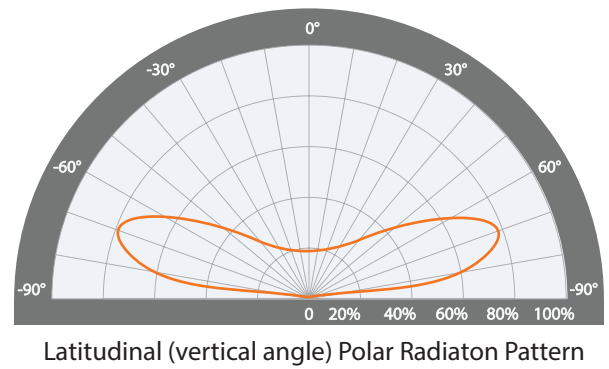
**!** Operating temperature: from -35 °C to +50 °C Storage temperature: from -40 °C to + 90 °C



Color temperature CIE graph



Led module light distribution graph



CIE graph coordinates

CIE x	CIE y
0,3080	0,3110
0,3030	0,3330
0,3150	0,3440
0,3170	0,3200

Led module light distribution table

Relative intensity	Angle
20%	172°
50%	160°
80%	142°

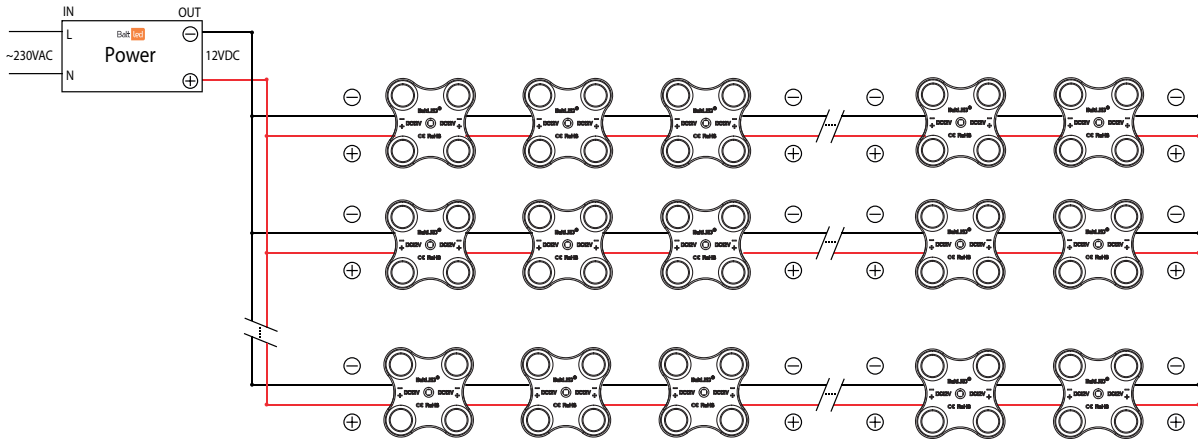
Other family products for various depths

Depth (mm)	30	60	80	100	140	160	180	200	250	300
Products										
Crown OPTO P14	<input type="checkbox"/>	<input type="checkbox"/>	<input type="checkbox"/>	<input type="checkbox"/>						
Crown OPTO S13	<input type="checkbox"/>	<input type="checkbox"/>	<input type="checkbox"/>	<input type="checkbox"/>						
Crown OPTO S23			<input type="checkbox"/>	<input type="checkbox"/>	<input type="checkbox"/>	<input type="checkbox"/>				
Crown OPTO Q3						<input type="checkbox"/>	<input type="checkbox"/>	<input type="checkbox"/>	<input type="checkbox"/>	
Crown OPTO Q4								<input type="checkbox"/>	<input type="checkbox"/>	<input type="checkbox"/>



**Attention!**

Max. number of modules in one chain when the power supplied from single end - 20 pcs



NOTE: refer to connection scheme for installation guide. Incorrect connection may cause short circuit and product failure.  
 WARNING: Make sure power supply is unplugged during LED wires connection.

**!** Please refer to the installation guide for more information

Modules per power supply and wire size between power supply and module

Power supply	White		2 m		5 m		10 m	
	Min.	Max.	mm <sup>2</sup>	AWG	mm <sup>2</sup>	AWG	mm <sup>2</sup>	AWG
BP-V12-180	1	9	0,18	24	0,45	20	0,9	17
BP-V12-360	1	18	0,36	21	0,9	17	1,8	14
BP-V12-600	1	30	0,6	19	1,5	15	3	12
BP-V12-1000	1	50	1	17	2,5	13	5	10

**!** Power loss less then 5 %

**!** Recommendations for full loaded power supply

Package Weight

Item	Quantity	Neto	Bruto
Chain	20 pcs	0.340 kg	0.340 kg
Bag	60 pcs	1.020 kg	1.040 kg
Box	420 pcs	7.140 kg	7.780 kg