

# CROWN OPTO X4

With Crown OPTO X4 we introduce a new member for Crown OPTO family for big letters and one sided light box. Designed for depths ranging from 140 to 300 mm, these modules also enable you to reduce installation time and save up on module quantity. As they can be installed with 350 mm step, you need 20% less modules for 1 m<sup>2</sup> than with previous solutions. Powered by Edison LED, they show extreme endurance at harsh working conditions (IP66) and have 5 year warranty with L70 for 60,000 hours.

## Application

- Big letters and one sided light box
- Recommended depth 140 – 300 mm
- Red colour available

## Features & benefits

- Powered by Edison LED
- CRI > 85
- Extreme environment and conditions housing
- Easy and fast installation cables
- Made in Europe
- IP66 protection class
- 5 year warranty



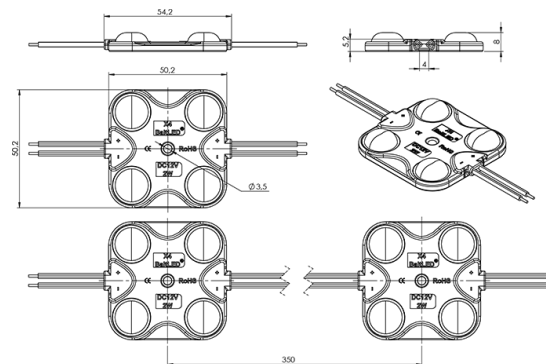
## CROWN OPTO X4 technical information

### General specifications

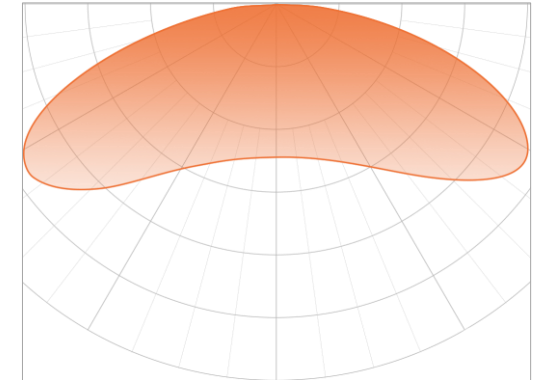
|                    |                        |
|--------------------|------------------------|
| Supply voltage     | 12 VDC                 |
| Power              | 2.0 W                  |
| CCT                | 6300 – 9000 K          |
| Recommended depth  | From 140 to 300 mm     |
| Operating temp.    | -40 °C ~ +60 °C        |
| Storage temp.      | -5 °C ~ +30 °C         |
| Storage conditions | Relative humidity <60% |
| Certification      | CE and RoHS compliant  |
| IP class           | IP66                   |
| Lifetime           | L70 60,000 h           |
| Warranty           | 5 years*               |

\* Warranty is applied only and if storage, mounting and maintenance conditions, stated in the installation guide, are followed.

### Dimensions



### Light distribution graph



Beam angle: 160°

### Ordering information

| SKU              | Luminous flux, lm | Colour temp.       | Power, W |
|------------------|-------------------|--------------------|----------|
| BMP-X4-O4UH160W1 | 175 – 180         | 6300 – 6800 K      | 2.0      |
| BMP-X4-O4UH160W3 | 170 – 175         | 8500 – 9000 K      | 2.0      |
| BMP-X4-O4UE160R  | 85 – 89           | 614 – 630 nm (red) | 2.0      |

#### Ordering quantity

|               |                        |
|---------------|------------------------|
| Chain: 30 pcs | (net weight: 0.86 kg)  |
| Bag: 90 pcs   | (net weight: 2.57 kg)  |
| Box: 810 pcs  | (net weight: 23.17 kg) |